

D

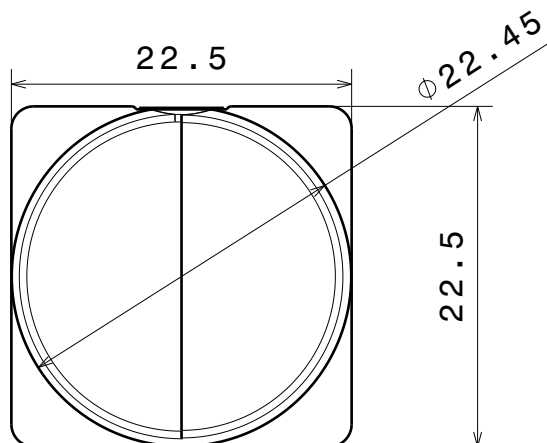
C

B

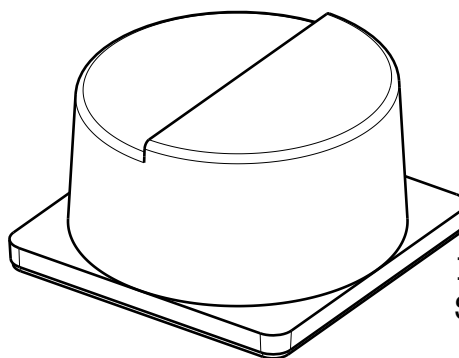
A

DATE

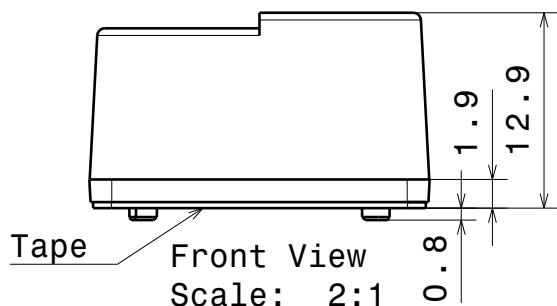
18.07.2022



Top View
Scale: 2:1

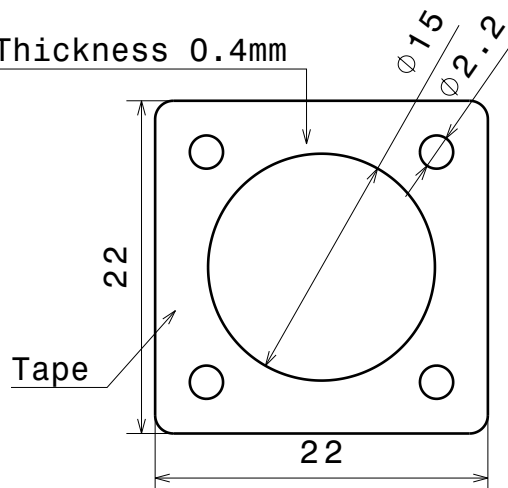


Isometric View
Scale: 2:1



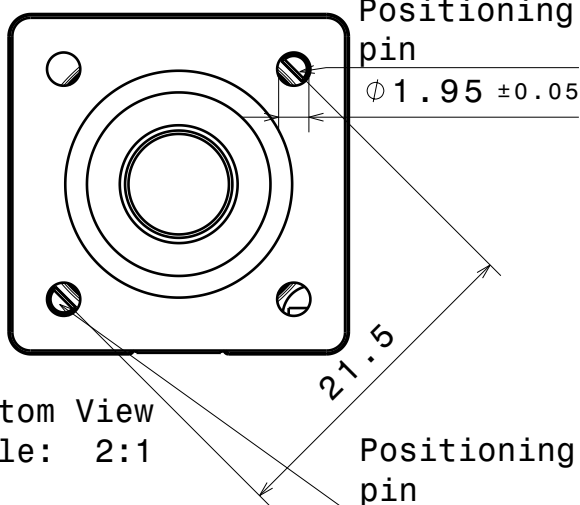
Front View
Scale: 2:1

Thickness 0.4mm



Tape

Light pattern direction
indicated with arrow

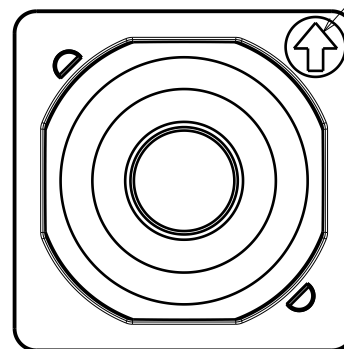


Bottom View
Scale: 2:1

Positioning pin

 $\varnothing 1.95 \pm 0.05$

Positioning pin



CA18277_VERONICA-SQ-WG

COMPONENTS

INDEX	PART	TYPE	MATERIAL	COLOR / COATING
1	C18276_VERONICA-SQ-WG		PMMA	Clear
2	C13729_VERONICA-SQ-TAPE		Tape	Grey

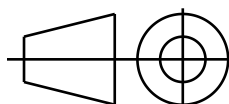
MECHANICAL DRAWING

PRODUCT

VERONICA**LEDiL**

Plastic moulding general tolerances according to DIN 16901-130 and applies if not otherwise shown in the drawing. Silicone moulding general tolerances according to ISO 3302-1 Class M3 and applies if not otherwise shown in the drawing.

FIRST ANGLE PROJECTION:



This drawing is the property of LEDiL Oy. It may not be copied or otherwise distributed without prior written permission from LEDiL Oy.

SCALE 2:1

WEIGHT 3.8g

A4 SHEET 1/1

D

A